

## Double A/V inputs – Twin RF Full band analogue output modulator (SSB)

### KMTW

## K Series



The new K-Series twin RF modulator is able to convert 2 independent Audio/Video sources (audio mono) and remodulate them in two RF adjacent analogue output “full-band” channels (47-862MHz) using Single Side Band modulation and standard B/G PAL (mono).

Module version available:

- **KMTW** PAL B/G mono

### Main Specifications (\*)

- **SSB (Single Side Band)** modulator, suitable for RF adjacent channel distribution
- **C/N on channel >56dB**
- **Green led** (locate on the front panel) for evaluate the working status
- **Double IF SAW Filter** for each channel in order to clean video signal before processing & modulation
- **Double Conversion in IF** for removing unwanted harmonic carriers ensuring good quality RF output
- **Fullband modulator**, one module covers the band 47-862 MHz
- **Audio and Video independent adjustment** for both input sources located on top of the module
- **TPE** (FRACARRO universal remote control) for parameter's setup

(\*) Definitive specifications could change without notice.

		KMTW (*)
Fracarro code		270633
<b>Video Input</b>		
Impedence	Ohm	75
Input level	Vpp	1
Video level adj. (manual)	V	0,7÷1,2
<b>Audio Input</b>		
Impedence	KOhm	10
Input level	Vrms	0,5
Audio level adj. (manual)	Vrms	0,25÷2,5
<b>Output Modulation</b>		
N° of RF generated channel	N°	2 (adjacent)
Standard		PAL B/G mono
Bandwidth	MHz	7 (VHF), 8 (UHF)
Modulation		SSB (Single Side Band)
Test Signal		Black screen or white rows to be used for radio signal distribution
<b>RF Output</b>		
Output frequency	MHz	47÷862
Output channels		E2÷E69
Output step tuning	KHz	250
Max. output level	dBµV	90
Output level adjustment	dB	0÷15 (using TPE)
C/N on channel	dB	≥ 56
Spurious rejection	dBc	< -57

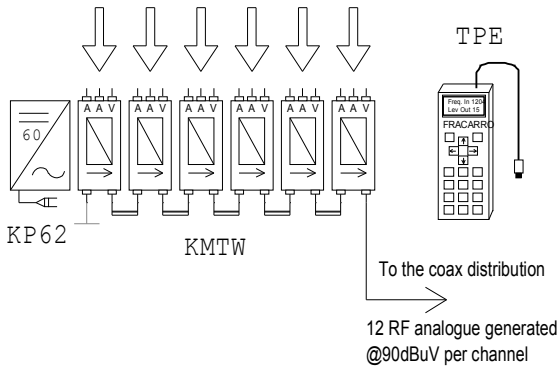
		General features (*)
RF mix input	MHz	47÷862
RF insertion loss	dB	1.5
Power Supply	Vdc	12
Consumption	mA	510@12Vdc
Connectors	tipo	2 x F female (RF mix – RF out), RJ45 (programming), 6 x RCA (Audio/Video inputs)
Dimensions (L.× W.× H)	mm	40x200x155
Operating temperature	°C	-10 ÷ +55
Compliant		CEI EN 50083-2

(\*) Definitive specifications could change without notice.

## Installation Examples

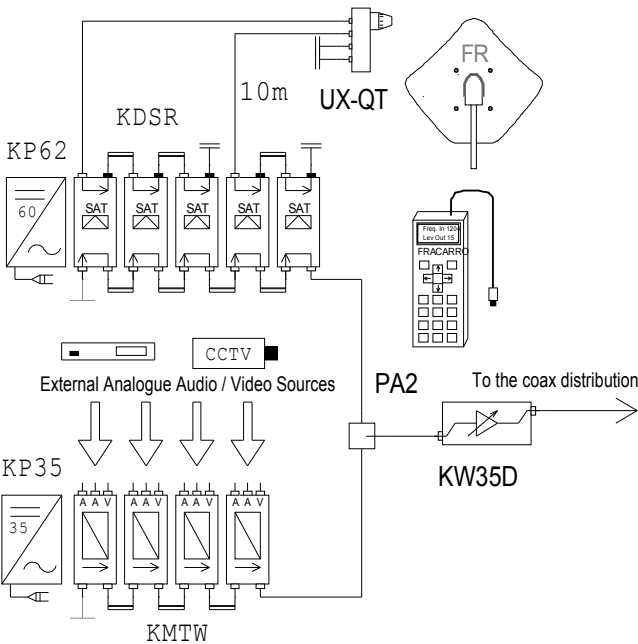
External Analogue Audio / Video Sources  
(DVD Players, CCTV Cameras, etc)

(2 x A/V independent analogue sources for each KMTW)



It's possible to add external analogue contents, remodulate them on RF output frequencies (SSB modulation – Standard BG-Pal).

All settings can easily be made using the TPE remote programmer.



For example, it's possible to extend the existing headend by adding external analogue contents. Looking on the typical example locate on the left side, it's possible to add up to 8 different external analogue sources and mix them with 5 different satellite Free to Air contents trasmodulated into RF output analogue .

Each KMTW K Serie modulator is able to manage two independent analogue sources and remodulate in two adjacent RF output frequencies (Full band 47-862MHz; Standard BG Pal Mono).