

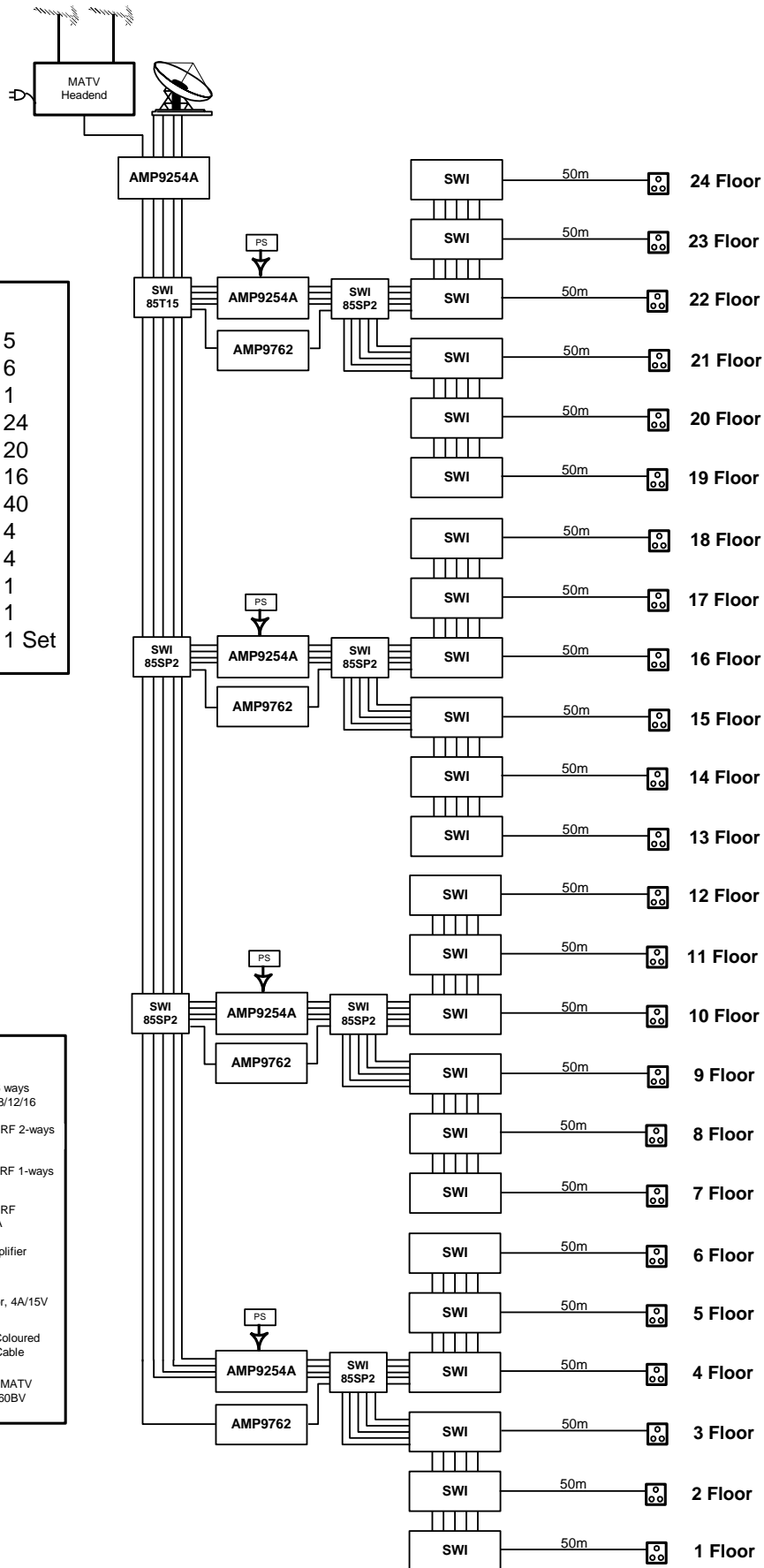
**Bill Of Material**

AMP9254A	4
SWI85SP2	4
SWI85T15	1
SWI85**	18
PAS4004102PT	15
PAS3213001	12
T75IF	30
DR6015PI	3
AMP9762	3
CHVU4ZN	1
DSD90	1
MATV H/E	1 Set

**LEGEND :**

	FRACARRO 8/12/16 ways MultiSwitch SWI8508/12/16
	FRACARRO 4IF & 1RF 2-ways Splitter SWI85SP2
	FRACARRO 4IF & 1RF 1-ways Tap SWI85T15
	FRACARRO 4IF & 1RF Amplifier AMP9254A
	FRACARRO RF Amplifier AMP9762
	Power Supply Injector, 4A/15V
	FRACARRO 5-In-1 Coloured RG6 2GHz Coaxial Cable PAS4004102
	Commscope RG-6 SMATV Coaxial Cable SAT660BV

**MultiSwitch SMATV System  
For Typical 18 Floors Condominium**



**Bill Of Material**

AMP9254A	5
SWI85SP2	6
SWI85T15	1
SWI85**	24
PAS4004102PT	20
PAS3213001	16
T75IF	40
DR6015PI	4
AMP9762	4
CHVU4ZN	1
DSD90	1
MATV H/E	1 Set

**LEGEND :**

	FRACARRO 8/12/16 ways MultiSwitch SWI8508/12/16
	FRACARRO 4IF & 1RF 2-ways Splitter SWI85SP2
	FRACARRO 4IF & 1RF 1-ways Tap SWI85T15
	FRACARRO 4IF & 1RF Amplifier AMP9254A
	FRACARRO RF Amplifier AMP9762
	Power Supply Injector, 4A/15V
	FRACARRO 5-In-1 Coloured RG6 2GHz Coaxial Cable PAS4004102
	Commscope RG-6 SMATV Coaxial Cable SAT660BV

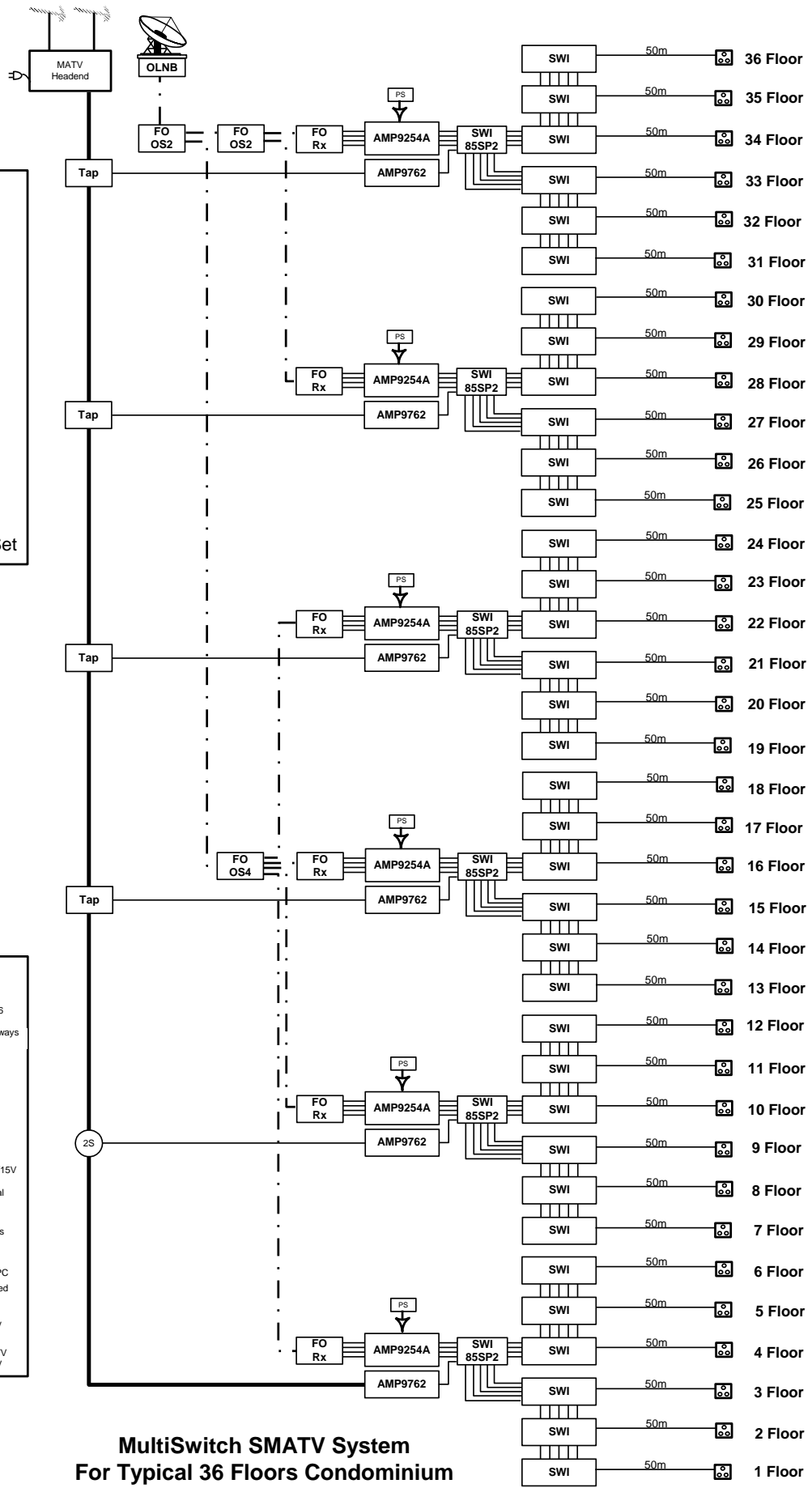
**MultiSwitch SMATV System  
For Typical 24 Floors Condominium**

**Bill Of Material**

AMP9254A	6
SWI85SP2	6
SWI85**	36
PAS4004102PT	30
PAS3213001	24
T75IF	60
DR6015PI	6
OLNB	1
OS2	2
OS4	1
FO/MDU	6
AMP9762	6
PAS2212/*11	4
PAS1222/011	1
DSD90	1
MATV H/E	1 Set

**LEGEND :**

	FRACARRO 8/12/16 ways MultiSwitch SWI8508/12/16
	FRACARRO 4IF & 1RF 2-ways Splitter SWI85SP2
	FRACARRO 4IF & 1RF Amplifier AMP9254A
	FRACARRO RF Amplifier AMP9762
	FRACARRO 1-way Tap PAS2212/*11
	Power Supply Injector, 4A/15V
	GLOBAL INVACOM Optical QUATTRO Receiver MDU/QUATTRO
	GLOBAL INVACOM 4-ways Optical Splitter OS4
	3mm Single Mode Optical Fiber Pre-Terminated FC/PC
	FRACARRO 5-in-1 Coloured RG6 2GHz Coaxial Cable PAS4004102
	Commscope RG-6 SMATV Coaxial Cable SAT660BV
	Commscope RG-11 SMATV Coaxial Cable SAT1160BV



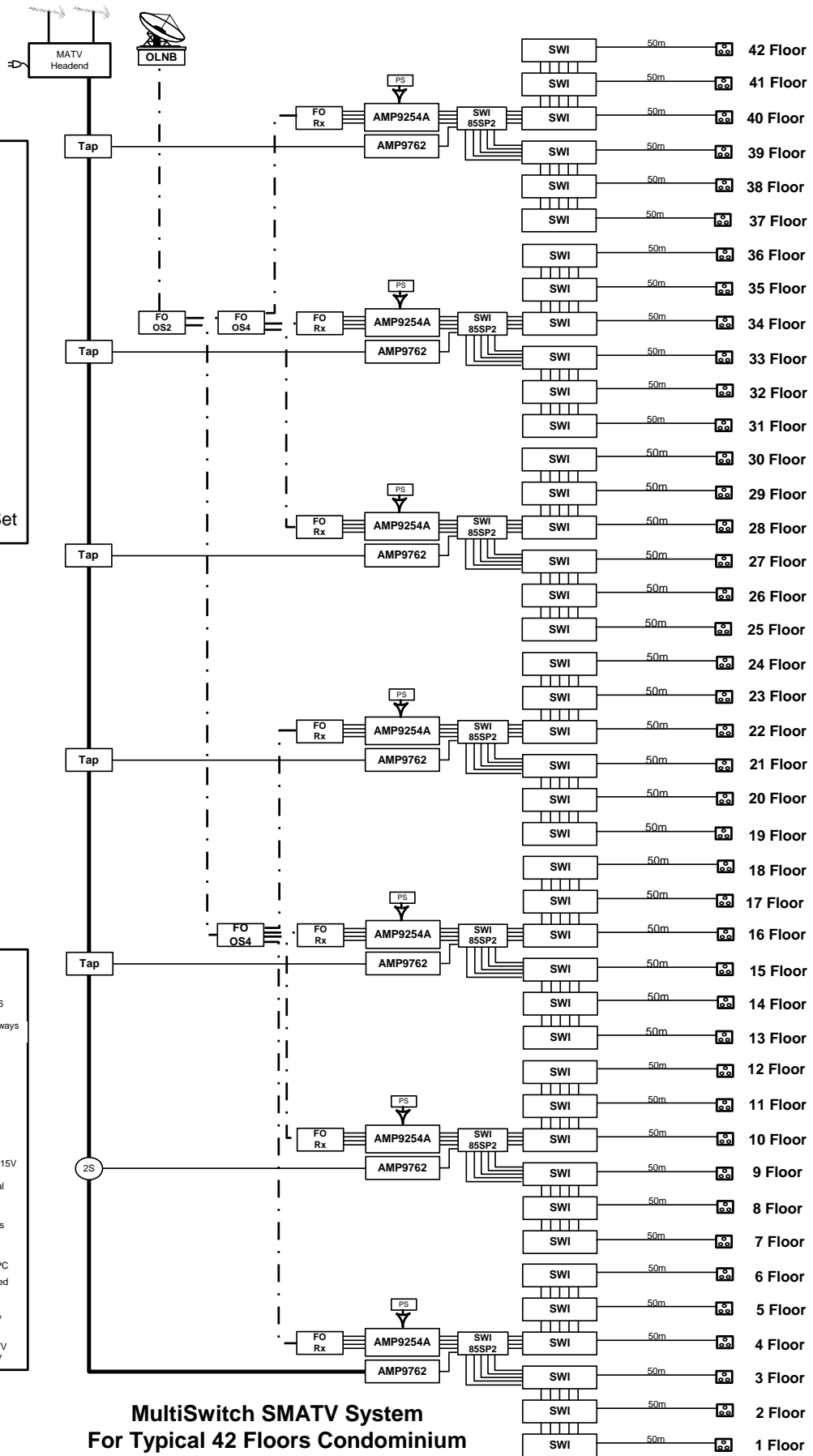
**MultiSwitch SMATV System  
For Typical 36 Floors Condominium**

**Bill Of Material**

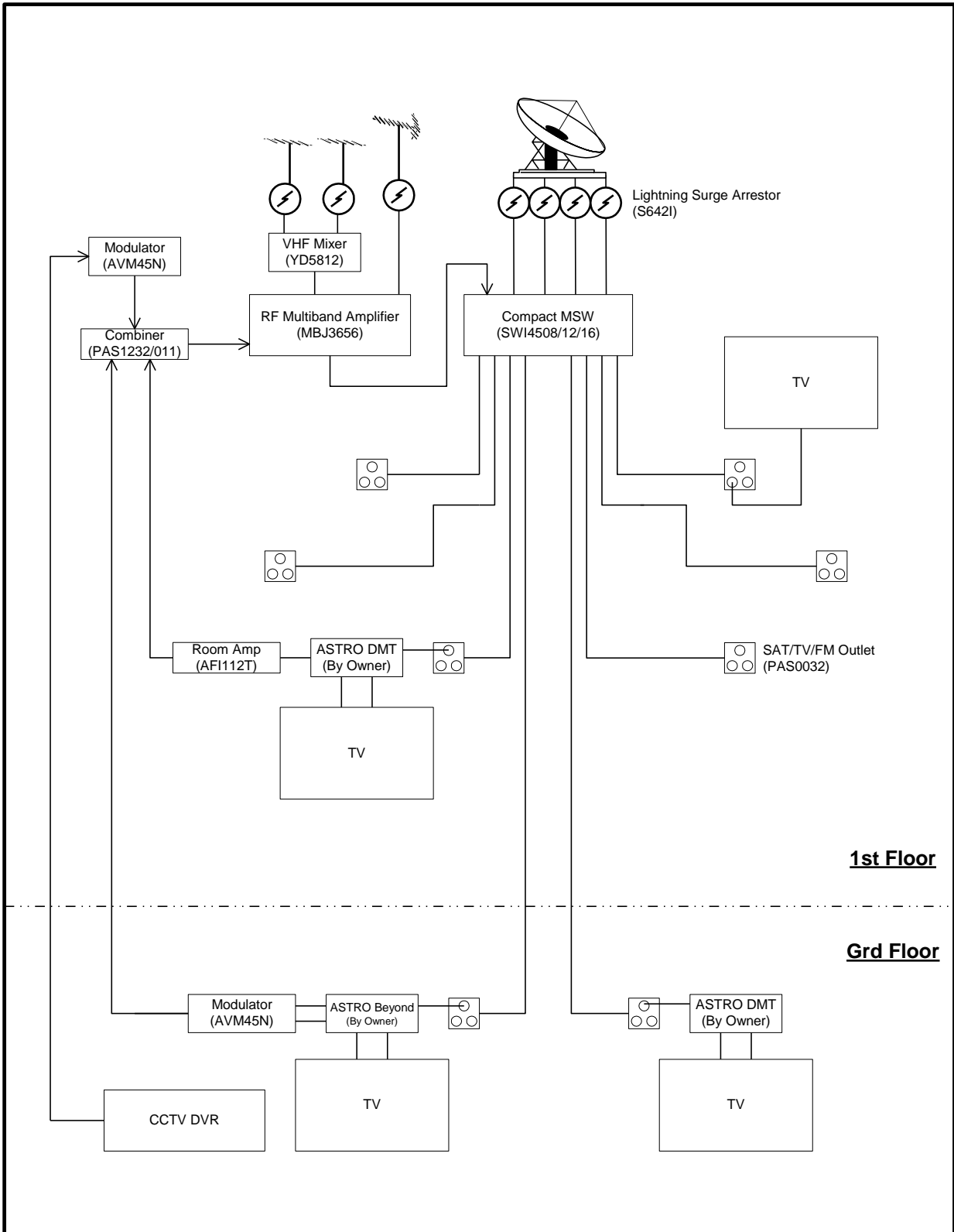
AMP9254A	7
SWI85SP2	7
SWI85**	42
PAS4004102PT	35
PAS3213001	28
T75IF	70
DR6015PI	7
OLNB	1
OS2	1
OS4	2
FO/MDU	7
AMP9762	7
PAS2212/*11	5
PAS1222/011	1
DSD90	1
MATV H/E	1 Set


**LEGEND :**

	FRACARRO 8/12/16 ways MultiSwitch SWI8508/12/16
	FRACARRO 4IF & 1RF 2-ways Splitter SWI85SP2
	FRACARRO 4IF & 1RF Amplifier AMP9254A
	FRACARRO RF Amplifier AMP9762
	FRACARRO 1-way Tap PAS2212/*11
	Power Supply Injector, 4A/15V
	GLOBAL INVACOM Optical QUATTRO Receiver MDU/QUATRO
	GLOBAL INVACOM 4-ways Optical Splitter OS4
	3mm Single Mode Optical Fiber Pre-Terminated FC/PC
	FRACARRO 5-In-1 Coloured RG6 2GHz Coaxial Cable PAS4004102
	Commscope RG-6 SMATV Coaxial Cable SAT660BV
	Commscope RG-11 SMATV Coaxial Cable SAT1160BV



**MultiSwitch SMATV System  
For Typical 42 Floors Condominium**



 <p>Tel : 603-80610659 Fax : 603-80622908</p>	Project :		Typical MSW SMATV System For Bungalow	
	Requested By :		Designed By :	Brian Wong
	Date :	14/4/10	Version	1.0