

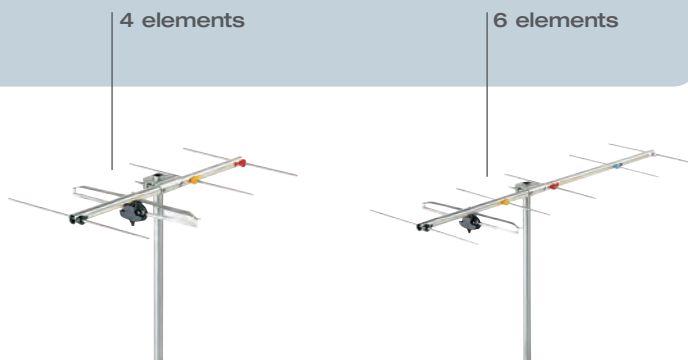
Aerials

VHF aerials

Band III wideband

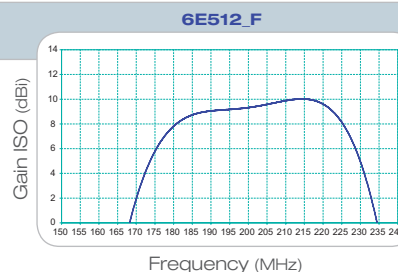
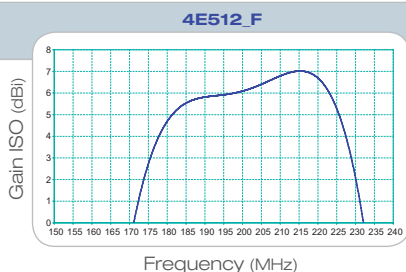
Yagi wideband III aerials with F connector. Ideal in situations where there are several band III channels.

They are available in 4 and 6 element versions to allow adequate gain in most reception situations.



Item Code		4E512_F 218706	6E512_F 218718
Elements	No.	4	6
Band		III	III
Channels		E5-E12	E5-E12
Bandwidth	MHz	174-230	174-230
Maximum gain	dBi	7	10
Front-to-back ratio	dB	16	18
Return loss	dB	-10	-12
Beamwidth (-3dB)	°	+/- 35	+/- 28
Wind load at 120Km/h (720N/m ²)	Kg (N)	2.0 (19.62)	3.0 (29.43)
Connector	type	F	F
Impedance	Ohm	75	75
Maximum mast Ø	mm	60	60
Dimensions (L x W)	cm	108 x 83	181 x 82
Packaging			
Quantity	Pcs	20	20
Unit weight	Kg	0.73	0.96
Total weight	Kg	15.6	20.2
Accessories			
Horizontal polarisation			Included
Horizontal polarisation with tilt adj.			PVZ-60
Polarisation vertical			PV10
Polarisation vertical with tilt adj.			PV10
Auxiliary boom			N/A

Gain



Pattern

