

SATELLITE DISH

DIGITAL SATELLITE DISH WITH LNB –DSD90



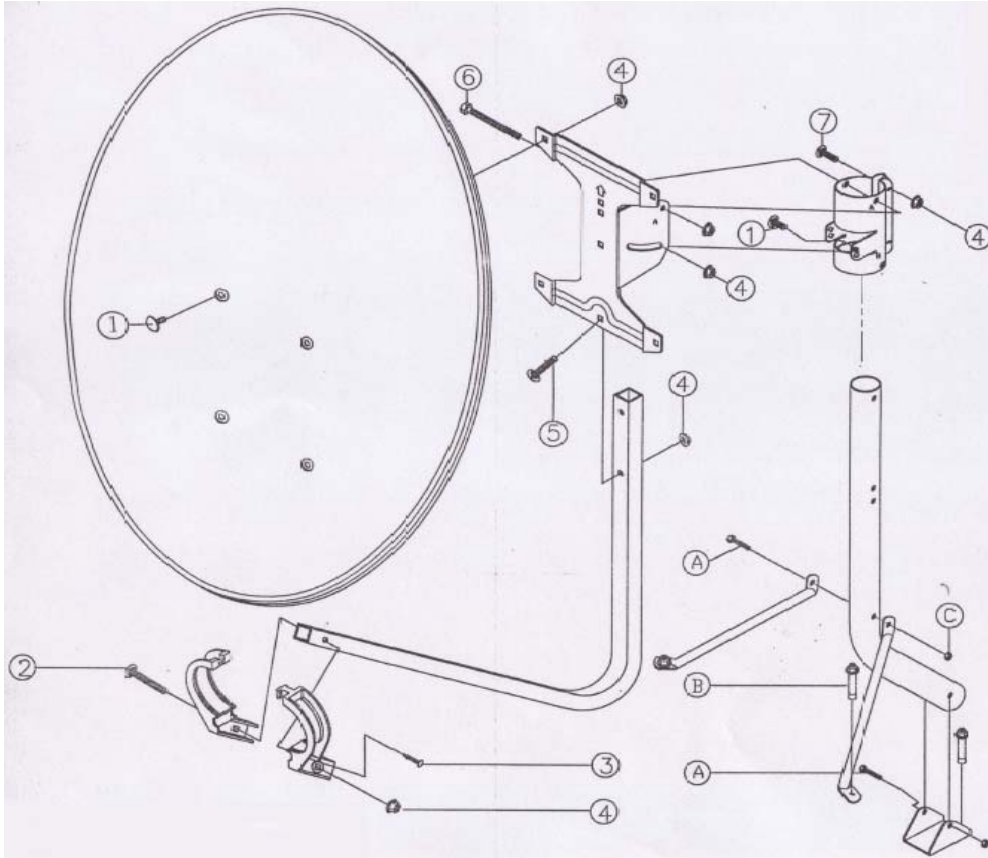
Key Feature:


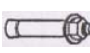

- Suitable for Ku-band digital reception
- Light weight precision aluminium reflector
- Built-in elevation scale easy alignment
- Quick, easy assembly and installation
- 90cm size recommended for SMATV system
- Ready fitted with LNB (SC915S) as standard
- Uses the Philips Wall and Roof Mount
- Crimp type F-connectors (2pcs) included

Model	DSD90
Reflector Optics	Offset
Offset Angle	27.6
Aperture Efficiency	>80%
Horizontal Axis	90cm
Vertical Axis	102cm
GAIN @ 12.5 GHz Ku-Band	40.5dB
Focal Length	45cm
F/D Ratio	0.5
Mount Type	Az/EI
Azimuth Alignment	360°
Elevation Alignment	15° ~ 65°
Pole Diameter	30 ~ 50mm
Operating Temperature	-40°C ~ +60°C
Operation Wind	90km/H
Survival Wind	180km/H

Specifications are subject to change without notice.

Installation Guide



A		M6 x 60mm	2
B		1/4" x 2" Anchor Bolt	4
C		M6 Hex Nut	2

1		M6 x 12mm	6
2		M6x35mm	1
3		M5x25mm	1
4		M6	12
5		M6x30mm	2
6		M6x60mm	1
7		M6x25mm	2

