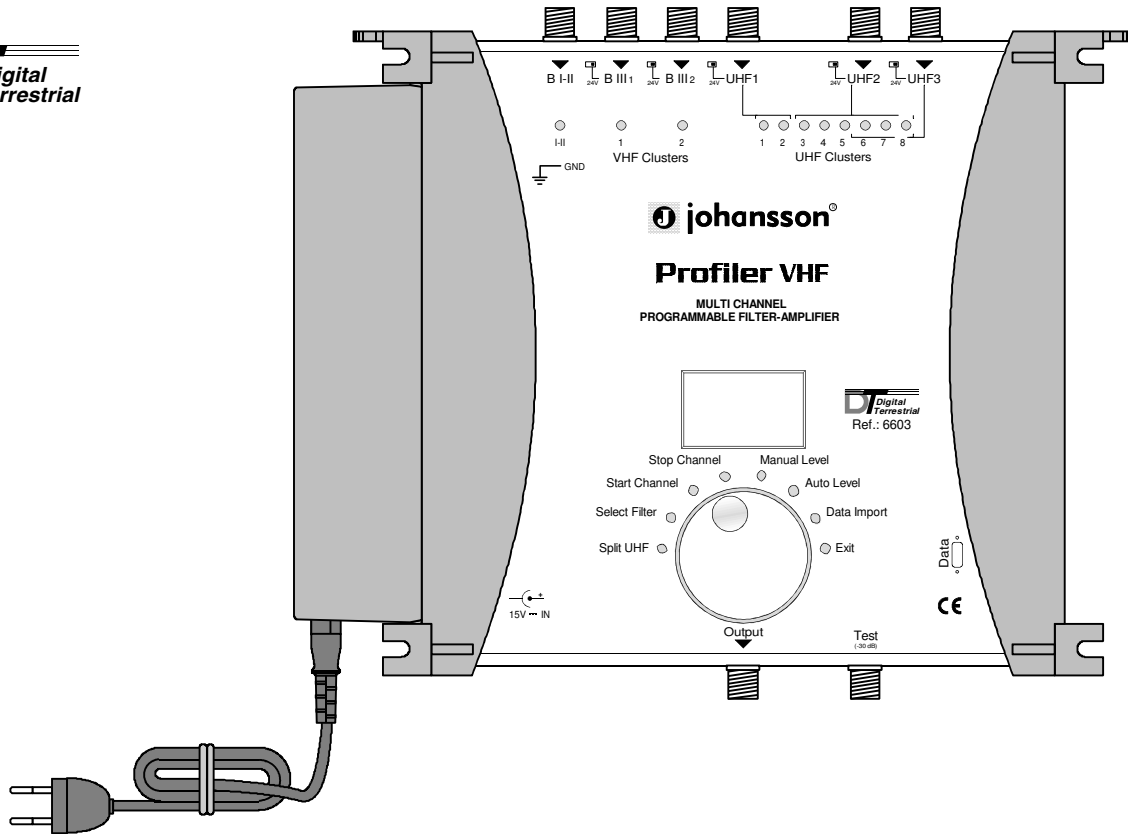


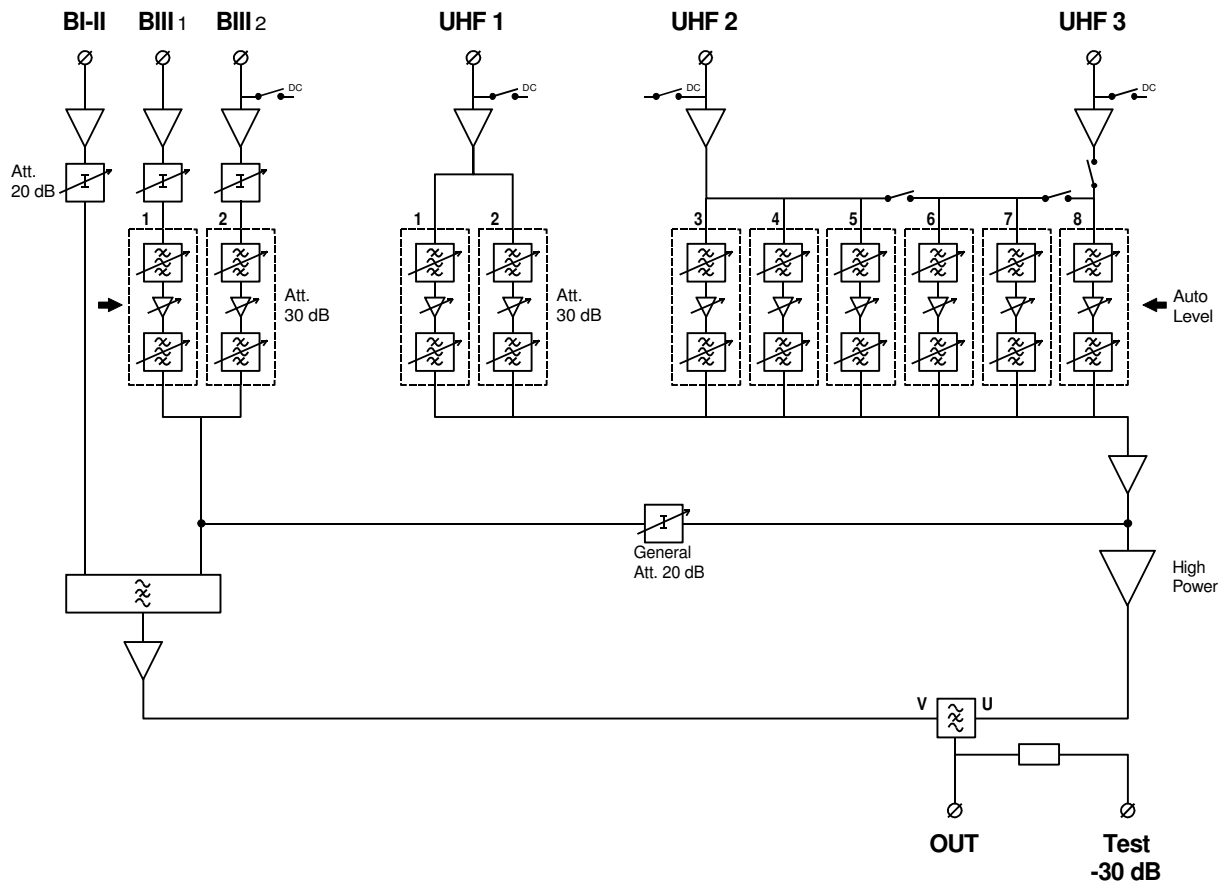
Profiler VHF Multi Channel Programmable Filter-Amplifier



FEATURES

- Designed for both digital and analogue channels,
- 6 inputs : B I-II / 2 x B III with 1 VHF programmable cluster each and 3 x UHF input splitted over 8 UHF programmable clusters,
- Each VHF cluster can have 1 to 4 channels bandwidth, each UHF cluster can have 1 to 7 channels bandwidth,
- Easy programming by using one rotary / push button viewed on 2 digits display and LEDs for each cluster and each input,
- 'COPY' function in order to transfer all settlements from one unit to another reducing time of installation,
- High selectivity filters,
- Low noise figure and high gain split band amplifiers,
- High power 123 dB μ V,
- Automatic leveling of signal or manual with 30 dB attenuator with 1 dB step for accurate equalization
- Selectable remote power on B III and UHF input,
- -30 dB Test output.

BLOCK DIAGRAM



TECHNICAL SPECIFICATIONS

Inputs	BI-II	BIII 1	BIII 2	UHF 1	UHF 2	UHF 3
Frequency range (MHz)	47-108	174-240	174-240	470-862	470-862	470-862
Bandwidth / cluster (MHz)	-	7-28 (1 to 4 ch.)	7-28 (1 to 4 ch.)	8-56 (1 to 7 channels)		
Configuration of clusters	-	1	1	2	6	0
	-	-	-	2	5	1
	-	-	-	2	3	3
Gain (dB)	35	40	40	55		
Attenuator (dB)	20	20	20	30		
General level adjustment (dB)	-	+10 dB to -9 dB				
Noise figure (dB)	5	5	5	6		
Max. input level (dB μ V)	80	80	80	80		
Max. output level* (dB μ V)	115	105	105	123		
Selectivity	-	15 dB / 10 MHz	15 dB / 10 MHz	10 dB / 10 MHz		
Return loss IN / OUT (dB)	>10	>10	>10	>10	>10	>10
Selectable 24 V remote power	-	100 mA in total				
Test output (dB)	-30					
Data transfert	DSUB9 connector					
Power supply	230 V~ / 15 V DC / 35 VA					
Operating temperature (°C)	-5 to +50					
Dimensions (mm)	265 x 220 x 95 mm.					

* -54 dB / IM3

Specifications are subject to change without notice.