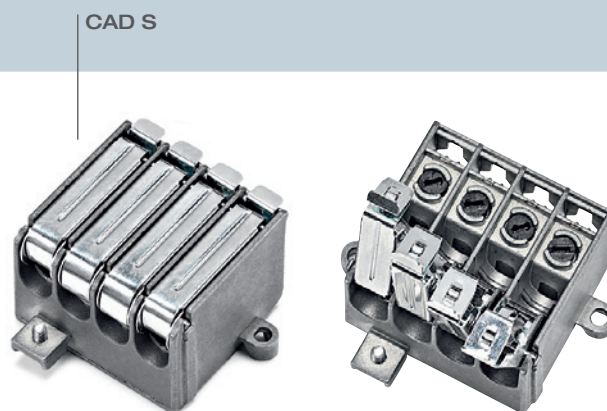


Splitters and taps

Clamp distribution components

5-2400MHz

To complete the Fracarro range of distribution components the range called CAD S has been designed. Their patented features make them reliable and easy to install. They guarantee superb shielding (class A) and excellent impedance matching CAD S splitters and taps (1, 2 or 4 way) are the result of an intensive development project and are one of-a-kind with a UBB input to allow single cable connection



Class A

SPLITTERS

Item	Code	Splitters	Insertion loss dB					Output-output isolation dB				
			RC 5-40 MHz	TV 47-862 MHz	950-1750 MHz	SAT 1750-2150 MHz	2150-2400 MHz	RC 5-40 MHz	TV 47-862 MHz	950-1750 MHz	SAT 1750-2150 MHz	2150-2400 MHz
PP2	220802	2 way	4	4	4.5	5	5.5	25	22	20	20	18
PP3	220803	3 way	6.5	6.5	6.5	7	8	20	20	20	20	18
PP4	220804	4 way	9.5	9.5	10	10.5	11	20	25	25	20	18
PP5	220805	5 way	11	11	11.5	12	13	20	25	25	22	18

1 WAY TAPS

Item	Code	Insertion loss dB					Tap loss dB					Output-tap isolation dB				
		RC 5-40 MHz	TV 47-862 MHz	950-1750 MHz	SAT 1750-2150 MHz	2150-2400 MHz	RC 5-40 MHz	TV 47-862 MHz	950-1750 MHz	SAT 1750-2150 MHz	2150-2400 MHz	RC 5-40 MHz	TV 47-862 MHz	950-1750 MHz	SAT 1750-2150 MHz	2150-2400 MHz
CD1-10	220810	1.8	1.6	2	2.3	2.6	10	10	10	10	10	28	30	30	28	32
CD1-14	220814	0.8	0.8	1.3	1.5	2	14.5	14.5	14.5	14.5	14	30	33	25	25	24
CD1-18	220818	0.8	0.8	1.3	1.5	2	18	18	17.5	18	18	32	35	30	27	24
CD1-22	220822	0.8	0.8	1.3	1.5	2	22	22	21.5	22	22	36	40	35	30	27

2 WAY TAPS

Item	Code	Insertion loss dB					Tap loss dB					Output-tap isolation dB				
		RC 5-40 MHz	TV 47-862 MHz	950-1750 MHz	SAT 1750-2150 MHz	2150-2400 MHz	RC 5-40 MHz	TV 47-862 MHz	950-1750 MHz	SAT 1750-2150 MHz	2150-2400 MHz	RC 5-40 MHz	TV 47-862 MHz	950-1750 MHz	SAT 1750-2150 MHz	2150-2400 MHz
CD2-10	220830	3.5	3	3.3	4.2	4.7	11	10	10.5	10.5	11	25	28	23	20	18
CD2-14	220834	1.6	1.5	2.5	2.7	3.5	15	15	14.5	14.5	14.5	30	35	25	23	23
CD2-18	220838	2.6	1.5	2.5	2.7	3.5	18	18	18	18	18	32	37	28	26	26
CD2-22	220842	1.6	1.5	2.5	2.7	3.5	22	22	22	22	22	35	40	32	30	30

Clamp distribution components

5-2400MHz

CAD S

To complete the Fracarro range of distribution components the range called CAD S has been designed. Their patented features make them reliable and easy to install. They guarantee superb shielding (class A) and excellent impedance matching; CAD S splitters and taps (1, 2 or 4 way) are the result of an intensive development project and are one of-a-kind with a UBB input to allow single cable connection.



Class A

4 WAY TAPS

Item	Code	Insertion loss dB					Tap loss dB					Output-tap isolation dB				
		RC 5-40 MHz	TV 47-862 MHz	SAT 950-1750 MHz		2150-2400 MHz	RC 5-40 MHz	TV 47-862 MHz	SAT 950-1750 MHz		2150-2400 MHz	RC 5-40 MHz	TV 47-862 MHz	SAT 950-1750 MHz		2150-2400 MHz
CD4-12	220852	4	3.7	4.5	5.5	6.5	13	12	12	12.5	13	27	27	27	25	25
CD4-14	220854	3.5	3.3	3.7	4.5	5	14	14	14.5	14.5	14.5	30	30	30	25	25
CD4-18	220858	1.6	1.5	2.5	3.5	4	19	18	18	18	18	33	35	33	30	25
CD4-22	220862	1.6	1.5	2.5	3.3	3.8	22	22	22	22	22	37	38	37	35	32

Clamp distribution components

Accessories

BIC

BOC

ARD

Indoor and outdoor boxes for CAD S.



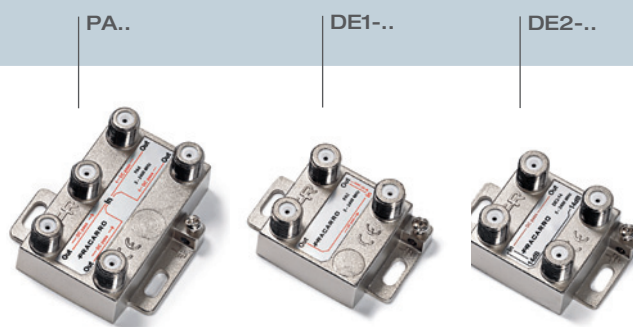
Item	Code	Description
BIC	220800	Indoor box for CAD S
BOC	220801	Outdoor box for CAD S
ARD	220891	Din rail adaptor for CAD S

Splitters and taps

Distribution components with F connectors

5-2400MHz

These taps and splitters have been designed to be used in TV and Satellite distribution systems. Their compact design enable them to be installed in many locations. The main features are: die cast metal housing, low insertion losses, high return loss and separation, F connectors, earthing screw and wall fixing.



SPLITTERS

Item	Code	Splitters	Insertion loss dB						Output-output isolation dB					
			5-40 MHz	40-470 MHz	470-1000 MHz	1000-1750 MHz	1750-2050 MHz	2050-2400 MHz	5-40 MHz	40-470 MHz	470-1000 MHz	1000-1750 MHz	1750-2050 MHz	2050-2400 MHz
PA2	280701	2 way	< 4	< 4	< 4.5	< 5.5	< 5.5	< 6	> 22	> 22	> 20	> 20	> 20	> 23
PA3	280703	3 way	< 7	< 8	< 8	< 10	< 10.5	< 11	> 22	> 22	> 22	> 22	> 22	> 22
PA4	280702	4 way	< 7.5	< 8.5	< 9	< 11	< 11.5	< 12	> 30	> 30	> 25	> 26	> 22	> 22
PA6	280704	6 way	< 10.5	< 10.5	< 12	< 13.5	< 14.5	< 16	> 22	> 22	> 22	> 22	> 22	> 22
PA8	280705	8 way	< 12	< 12	< 13.5	< 15.5	< 16.5	< 17	> 20	> 20	> 20	> 20	> 20	> 20

1 WAY TAPS

Item	Code	Insertion loss dB						Tap loss dB						Output-tap isolation dB					
		5-40 MHz	40-470 MHz	470-1000 MHz	1000-1750 MHz	1750-2050 MHz	2050-2400 MHz	5-40 MHz	40-470 MHz	470-1000 MHz	1000-1750 MHz	1750-2050 MHz	2050-2400 MHz	5-40 MHz	40-470 MHz	470-1000 MHz	1000-1750 MHz	1750-2050 MHz	2050-2400 MHz
DE1-10	280710	< 1.5	< 1.3	< 1.3	< 1.6	< 2	< 2	10.5	10.5	10.5	11	11	11	> 40	> 35	> 32	> 27	> 24	> 24
DE1-14	280711	< 1	< 0.8	< 0.8	< 1.2	< 1.3	< 1.5	14	14	14	14	14	14	> 32	> 29	> 28	> 28	> 30	> 25
DE1-18	280712	< 0.8	< 0.7	< 0.7	< 0.9	< 1	< 1.3	18.5	18.5	18.5	18.5	18	17.5	> 45	> 36	> 31	> 31	> 27	> 22
DE1-22	280713	< 0.6	< 0.6	< 0.5	< 0.8	< 1	< 1.7	22	22	22	22	22	22	> 50	> 38	> 33	> 33	> 31	> 27

2 WAY TAPS

Item	Code	Insertion loss dB						Tap loss dB						Output-tap isolation dB					
		5-40 MHz	40-470 MHz	470-1000 MHz	1000-1750 MHz	1750-2050 MHz	2050-2400 MHz	5-40 MHz	40-470 MHz	470-1000 MHz	1000-1750 MHz	1750-2050 MHz	2050-2400 MHz	5-40 MHz	40-470 MHz	470-1000 MHz	1000-1750 MHz	1750-2050 MHz	2050-2400 MHz
DE2-10	280714	< 2.5	< 2.5	< 2.5	< 2.5	< 2.8	< 3.5	10	10	10	10	11	11.5	> 25	> 28	> 28	> 25	> 25	> 23
DE2-14	280715	< 1.5	< 1.5	< 1.5	< 1.8	< 2	< 2.2	14	14	14	14	14	14	> 35	> 29	> 25	> 25	> 23	> 23
DE2-18	280716	< 1.2	< 1.2	< 1.2	< 1.5	< 1.8	< 2	18	18	18	18	18	19	> 45	> 35	> 30	> 27	> 27	> 25
DE2-22	280717	< 1.2	< 1.2	< 1.1	< 1.5	< 1.8	< 2.2	22	22	22	22	22	22	> 45	> 40	> 35	> 31	> 27	> 27

Distribution components with F connectors

5-2400MHz

These taps and splitters have been designed to be used in TV and Satellite distribution systems. Their compact design enable them to be installed in many locations. The main features are: die cast metal housing, low insertion losses, high return loss and separation, F connectors, earthing screw and wall fixings.



4 WAY TAPS

Item	Code	Insertion loss dB						Tap loss dB						Output-tap isolation dB					
		5-40 MHz	40-470 MHz	470-1000 MHz	1000-1750 MHz	1750-2050 MHz	2050-2400 MHz	5-40 MHz	40-470 MHz	470-1000 MHz	1000-1750 MHz	1750-2050 MHz	2050-2400 MHz	5-40 MHz	40-470 MHz	470-1000 MHz	1000-1750 MHz	1750-2050 MHz	2050-2400 MHz
DE4-12	280718	< 3.5	< 3.5	< 4.3	< 5.1	< 5.2	< 5.4	11.5	11.5	11.5	13	14	15.5	> 35	> 35	> 30	> 28	> 28	> 28
DE4-14	280719	< 2.5	< 2.3	< 2.5	< 3	< 3.5	< 4	14.5	14	13.5	14	14.5	15	> 32	> 32	> 35	> 30	> 27	> 30
DE4-18	280720	< 1.5	< 1.3	< 1.3	< 1.5	< 1.8	< 2	18	18	18	18.5	19	19	> 45	> 45	> 45	> 35	> 30	> 30
DE4-22	280721	< 1	< 1	< 1	< 1.2	< 1.5	< 1.5	21.5	21.5	22	22.5	23	24	> 38	> 37	> 33	> 31	> 27	> 26

6 WAY TAPS

Item	Code	Insertion loss dB						Tap loss dB						Output-tap isolation dB					
		5-40 MHz	40-470 MHz	470-1000 MHz	1000-1750 MHz	1750-2050 MHz	2050-2400 MHz	5-40 MHz	40-470 MHz	470-1000 MHz	1000-1750 MHz	1750-2050 MHz	2050-2400 MHz	5-40 MHz	40-470 MHz	470-1000 MHz	1000-1750 MHz	1750-2050 MHz	2050-2400 MHz
DE6-16	280722	< 4.5	< 5	< 5	< 5.5	< 5.5	< 5.5	14±1	14±1	14±1	15±1	16.5±1.5	18±1.5	> 25	> 22	> 22	> 22	> 22	> 22
DE6-20	280723	< 2.5	< 3	< 3	< 4	< 4.5	< 5.5	19±1	19±1	19±1	19.5±1.5	20±1.5	20±1.5	> 30	> 25	> 22	> 22	> 22	> 22
DE6-25	280724	< 1.5	< 1.5	< 1.5	< 2	< 2.5	< 3.5	24±1	24±1	24±1	24±1	24±1.5	24.5±2	> 30	> 30	> 22	> 22	> 22	> 22

8 WAY TAPS

Item	Code	Insertion loss dB						Tap loss dB						Output-tap isolation dB					
		5-40 MHz	40-470 MHz	470-1000 MHz	1000-1750 MHz	1750-2050 MHz	2050-2400 MHz	5-40 MHz	40-470 MHz	470-1000 MHz	1000-1750 MHz	1750-2050 MHz	2050-2400 MHz	5-40 MHz	40-470 MHz	470-1000 MHz	1000-1750 MHz	1750-2050 MHz	2050-2400 MHz
DE8-16	280725	< 4.5	< 5	< 5	< 5.5	< 5.5	< 5.5	14±1	15±1	15±1	16.5±1.5	18±1.5	19.5±1.5	> 30	> 25	> 25	> 25	> 25	> 25
DE8-20	280726	< 2.5	< 2.5	< 3.5	< 4.5	< 5	< 5.5	19±1	19±1	19±1	19±1	19±1.5	20±1.5	> 30	> 25	> 20	> 20	> 20	> 20
DE8-25	280727	< 1	< 1.5	< 1.5	< 2	< 2.5	< 2.5	23.5±1	23.5±1	23.5±1	24±1	24±1.5	25±3	> 30	> 30	> 25	> 20	> 20	> 20

Splitters and taps

Distribution components with F connectors

5-2400MHz

Splitters and taps with F connectors. Their compact design enables them to be installed in many locations. Their main features are: zinc die cast housing with nickel plate, low insertion loss, high isolation and return loss, earthing screws and wall fixings.



SPLITTERS

Item	Code	Outputs	Insertion loss dB				Output-output isolation dB			
			5-40 MHz	47-862 MHz	950 -2150 MHz	2150-2400 MHz	5-40 MHz	47-862 MHz	950 -2150 MHz	2150-2400 MHz
SPT2	289860	2	< 4	< 4	< 4.5	< 5	> 18	> 20	> 20	> 18
SPT3	289861	3	< 6	< 6.5	< 7	< 9	> 18	> 20	> 20	> 18
SPT4	289862	4	< 8	< 8	< 9	< 10	> 18	> 20	> 20	> 18
SPT6	289863	6	< 10	< 10	< 12	< 14	> 18	> 20	> 20	> 18
SPT8	289864	8	< 13	< 13	< 15	< 17	> 18	> 20	> 20	> 18

1 WAY TAPS

Item	Code	Tap loss dB	Insertion loss dB				Output-output isolation dB			
			5-40 MHz	47-862 MHz	950 -2150 MHz	2150-2400 MHz	5-40 MHz	47-862 MHz	950 -2150 MHz	2150-2400 MHz
TA1-11	289865	11 ± 1.5	< 2	< 2.5	< 3	< 3.5	> 23	> 23	>20	> 18
TA1-15	289866	15 ± 1.5	< 1.5	< 2	< 2.5	< 3	> 23	> 23	>20	> 18
TA1-20	289867	20 ± 1.5	< 1.3	< 1.8	< 2.8	< 3	> 23	> 23	>20	> 18

2 WAY TAPS

Item	Code	Tap loss dB	Insertion loss dB				Output-output isolation dB			
			5-40 MHz	47-862 MHz	950 -2150 MHz	2150-2400 MHz	5-40 MHz	47-862 MHz	950 -2150 MHz	2150-2400 MHz
TA2-11	289868	11 ± 1.5	< 3.5	< 4	< 4.5	< 5	> 23	> 23	>20	> 18
TA2-15	289869	15 ± 1.5	< 2.2	< 2.5	< 3.5	< 4	> 23	> 23	>20	> 18
TA2-20	289870	20 ± 1.5	< 2	< 2.5	< 3	< 4	> 23	> 23	>20	> 18
TA2-25	289871	25 ± 1.5	< 2	< 2.5	< 3	< 4	> 23	> 23	>20	> 18
TA2-30	289872	30 ± 1.5	< 2	< 2.5	< 3	< 4	> 23	> 23	>20	> 18

4 WAY TAPS

Item	Code	Tap loss dB	Insertion loss dB				Output-output isolation dB			
			5-40 MHz	47-862 MHz	950-2150 MHz	2150-2400 MHz	5-40 MHz	47-862 MHz	950-2150 MHz	2150-2400 MHz
TA4-13	289873	13 ± 1.5	< 4.5	< 5	< 5.5	< 6.5	> 23	> 23	> 20	> 18
TA4-16	289874	16 ± 1.5	< 3	< 4	< 5	< 5.5	> 23	> 23	> 20	> 18
TA4-21	289875	21 ± 1.5	< 2.5	< 3	< 3.5	< 4.5	> 23	> 23	> 20	> 18
TA4-25	289876	25 ± 1.5	< 2	< 3	< 3.5	< 4.5	> 23	> 23	> 20	> 18

6 WAY TAPS

Item	Code	Tap loss dB	Insertion loss dB				Output-output isolation dB			
			5-40 MHz	47-862 MHz	950-2150 MHz	2150-2400 MHz	5-40 MHz	47-862 MHz	950-2150 MHz	2150-2400 MHz
TA6-16	289877	16 ± 1.5	< 4	< 4	< 5.5	< 8	> 23	> 23	> 20	> 18
TA6-20	289878	20 ± 1.5	< 2.5	< 3	< 4	< 4.5	> 23	> 23	> 20	> 18
TA6-25	289879	25 ± 1.5	< 2	< 3	< 3.5	< 4.5	> 23	> 23	> 20	> 18

8 WAY TAPS

Item	Code	Tap loss dB	Insertion loss dB				Output-output isolation dB			
			5-40 MHz	47-862 MHz	950-2150 MHz	2150-2400 MHz	5-40 MHz	47-862 MHz	950-2150 MHz	2150-2400 MHz
TA8-15	289880	16 ± 1.5	< 4	< 4	< 5.5	< 8	> 23	> 23	> 20	> 18
TA8-20	289881	20 1.5	< 3	< 3.5	< 4.5	< 5	> 23	> 23	> 20	> 18
TA8-25	289882	25 1.5	< 2	< 3	< 3.5	< 4.5	> 23	> 23	> 20	> 18

Distribution components with F connectors

950-2150MHz

PAS12..

SAT splitters with F connector



Item	Code	Type	No. of outputs	Insertion loss	Isolation between outputs	Consumption	Dimensions
				dB	dB		
PAS1224	PAS1224	Passive	2	-4	18	-	60x50x16
PAS1244	PAS1244	Passive	4	-8	18	-	118x67x17
PAS1244A	PAS1244A	Active	4	0 ± 1	18	60	118x67x17

Splitters and taps

Distribution components with F connectors

5-1000MHz

SPL..

TAP..

Splitters and taps designed to be used in CATV distribution systems. Their compact design enables them to be installed in many locations. Their main features are: zinc die cast housing with nickel plate; F connectors; high isolation and return loss in accordance with EN 50083-4; earthing screws and wall fixings; high screening efficiency in accordance with EN 50083-2: Class A.



SPLITTERS

Item	Code	No. of outputs	Insertion loss dB			Isolation dB min.			Return loss dB min.			Dimensions mm
			5-47MHz	47-470MHz	470-1000MHz	5-47MHz	47-470MHz	470-1000MHz	5-47MHz	47-470MHz	470-1000MHz	
SPL12	280788	2	<3.5	<3.7	<4.0	>20	>25	>24	>22	>20	>17	54x48x19
SPL13	280789	3	<6.3	<6.8	<7.0	>25	>23	>20	>22	>20	>16	75x48x19
SPL13A	280790	3	<7.2(out 2-3) <3.7(out 1)	<7.5(out 2-3) <3.9(out 1)	<8.0(out 2-3) <4.2(out 1)	>28	>25	>22	>22	>20	>16	
SPL14	280791	4	<7.0	<7.5	<8.0	>28	>25	>22	>22	>20	>18	120x60x24
SPL16	280792	6	<9.6	<10.5	<11.2	>22	>20	>18	>22	>20	>18	

1 WAY TAPS

Item	Code	Tap loss dB	Insertion loss dB			Isolation dB min.			Return loss dB min.			Dimensions mm
			5-47MHz	47-470MHz	470-1000MHz	5-47MHz	47-470MHz	470-1000MHz	5-47MHz	47-470MHz	470-1000MHz	
TAP1106	280760	6	<2.4	<2.6	<3.0	>23	>25	>20	>16	>16	>16	54x48x19
TAP1108	280761	8	<1.8	<1.8	<2.4	>25	>28	>22	>15	>18	>18	
TAP1111	280762	11	<1.0	<1.0	<1.5	>30	>27	>24	>16	>18	>15	
TAP1114	280763	14	<1.0	<1.0	<1.4	>30	>27	>24	>16	>18	>15	
TAP1117	280764	17	<0.8	<0.8	<1.3	>30	>27	>24	>18	>20	>15	
TAP1120	280765	20	<1.0	<1.2	<1.3	>30	>27	>24	>21	>16	>15	
TAP1123	280766	23	<0.8	<1.0	<1.2	>30	>27	>24	>21	>16	>15	

2 WAY TAPS

Item	Code	Tap loss dB	Insertion loss dB			Isolation dB min.			Return loss dB min.			Dimensions mm
			5-47MHz	47-470MHz	470-1000MHz	5-47MHz	47-470MHz	470-1000MHz	5-47MHz	47-470MHz	470-1000MHz	
TAP1208	280767	8	<3.7	<3.7	<4.0	>28	>24	>20	>16	>18	>15	75x48x19
TAP1211	280768	11	<2.2	<2.5	<3.0	>22	>22	>20	>12	>18	>14	
TAP1214	280769	14	<2.2	<2.5	<3.0	>27	>25	>22	>15	>18	>15	
TAP1217	280770	17	<1.2	<1.5	<2.0	>27	>24	>20	>16	>17	>14	
TAP1220	280771	20	<1.2	<1.5	<2.0	>30	>25	>20	>16	>18	>15	
TAP1223	280772	23	<1.2	<1.5	<2.0	>35	>33	>27	>16	>18	>15	

4 WAY TAPS

Item	Code	Tap loss dB	Insertion loss dB			Isolation dB min.			Return loss dB min.			Dimensions mm
			5-47MHz	47-470MHz	470-1000MHz	5-47MHz	47-470MHz	470-1000MHz	5-47MHz	47-470MHz	470-1000MHz	
TAP1408	280773	8	-	-	-	>22	>22	>20	>13	>18	>14	87x55x37
TAP1411	280774	11	< 3.7	< 4.0	< 5.0	>22	>24	>20	>13	>18	>14	
TAP1414	280775	14	< 2.4	< 2.8	< 3.5	>22	>24	>20	>13	>17	>14	
TAP1417	280759	17	< 1.9	< 1.9	< 1.9	>22	>24	>20	>13	>18	>14	
TAP1420	280776	20	< 1.1	< 1.2	< 1.6	>22	>20	>20	>13	>18	>14	
TAP1423	280777	23	< 0.8	< 1.0	< 1.4	>24	>20	>20	>13	>18	>14	

6 WAY TAPS

Item	Code	Tap loss dB	Insertion loss dB			Isolation dB min.			Return loss dB min.			Dimensions mm
			5-47MHz	47-470MHz	470-1000MHz	5-47MHz	47-470MHz	470-1000MHz	5-47MHz	47-470MHz	470-1000MHz	
TAP1611	280778	11	-	-	-	>16	>20	>15	>16	>16	>16	87x55x37
TAP1614	280779	14	< 3.0	< 3.6	< 4.0	>16	>20	>15	>16	>16	>16	
TAP1617	280780	17	< 2.0	< 2.3	< 2.5	>16	>20	>15	>16	>16	>16	
TAP1620	280781	20	< 1.3	< 1.4	< 1.9	>16	>20	>15	>16	>16	>16	
TAP1623	280782	23	< 1.0	< 1.0	< 1.6	>16	>20	>15	>16	>16	>16	

8 WAY TAPS

Item	Code	Tap loss dB	Insertion loss dB			Isolation dB min.			Return loss dB min.			Dimensions mm
			5-47MHz	47-470MHz	470-1000MHz	5-47MHz	47-470MHz	470-1000MHz	5-47MHz	47-470MHz	470-1000MHz	
TAP1812	280783	12	-	-	-	>22	>22	>20	>15	>18	>14	119x55x37
TAP1814	280784	14	< 3.7	< 4.0	< 5.0	>22	>22	>20	>15	>18	>14	
TAP1817	280785	17	< 2.4	< 2.8	< 3.5	>22	>22	>20	>15	>18	>14	
TAP1820	280786	20	< 1.2	< 1.4	< 1.8	>22	>22	>20	>15	>18	>14	
TAP1823	280787	23	< 0.9	< 1.1	< 1.6	>22	>22	>20	>16	>17	>16	

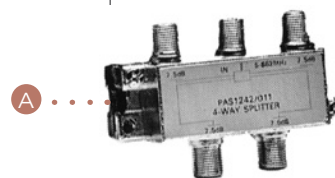
Splitters and taps

Distribution components with F connectors

5-862MHz

PAS12(X)2011

2, 3 and 4 way splitters



PAS12(X)2011

Item	Code	Insertion loss dB			Isolation between outputs dB			Dimensions mm	Weight g
		5-40MHz	40-470MHz	470-862MHz	5-40MHz	40-470MHz	470-862MHz		
PAS1222011, 2 out.	PAS1222011	3.4 ± 0.3	3.4 ± 0.3	3.6 ± 0.4	16	22	20	53x50x25	55
PAS1232011, 3 out.	PAS1232011	5.3 ± 0.3	5.3 ± 0.3	5.6 ± 0.5	16	20	18	74x50x25	76
PAS1242011, 4 out.	PAS1242011	7.2 ± 0.3	7.2 ± 0.3	7.5 ± 0.5	18	20	16	74x50x25	8

Distribution components with F connectors

5-862MHz

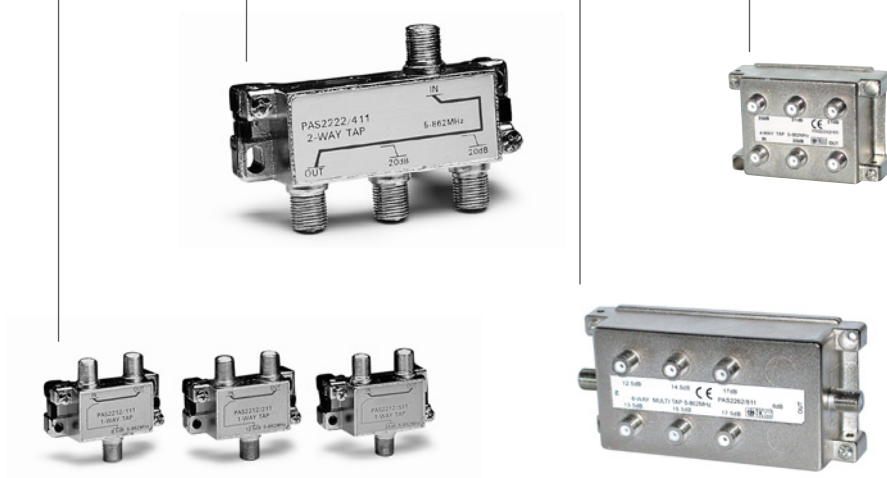
1, 2, 4, 6 and 8 way taps

PAS2212(X)11

PAS2222(X)11

PAS22(X)2811

PAS2242(X)11



PAS2212(X)11 - 1 WAY TAPS

Item	Code	Tap loss dB			Insertion loss dB			Output-tap isolation dB		
		5-40MHz	40-470MHz	470-862MHz	5-40MHz	40-470MHz	470-862MHz	5-40MHz	40-470MHz	470-862MHz
PAS2212111	PAS2212111	8.5 ± 1	8.5 ± 1	8.5 ± 1	1.6 ± 0.2	1.6 ± 0.2	2 ± 0.3	22	20	18
PAS2212211	PAS2212211	12.5 ± 1	12.5 ± 1	12.5 ± 1	0.7 ± 0.2	0.7 ± 0.2	0.8 ± 0.3	26	26	16
PAS2212311	PAS2212311	16 ± 1	16 ± 1	16 ± 1	0.5 ± 0.2	0.5 ± 0.2	0.6 ± 0.3	28	26	26
PAS2212411	PAS2212411	20 ± 1	20 ± 1	20 ± 1	0.5 ± 0.2	0.5 ± 0.2	0.6 ± 0.3	30	30	26
PAS2212511	PAS2212511	24 ± 1	24 ± 1	24 ± 1	0.5 ± 0.2	0.5 ± 0.2	0.6 ± 0.3	32	32	28

PAS2222(X)11 - 2 WAY TAPS

Item	Code	Tap loss dB			Insertion loss dB			Output-tap isolation dB		
		5-40MHz	40-470MHz	470-862MHz	5-40MHz	40-470MHz	470-862MHz	5-40MHz	40-470MHz	470-862MHz
PAS2222111	PAS2222111	8.5 ± 1	8.5 ± 1	8.5 ± 1	3.4 ± 0.5	3.6 ± 0.5	3.8 ± 0.5	22	20	16
PAS2222211	PAS2222211	12.5 ± 1	12.5 ± 1	12.5 ± 1.5	1.2 ± 0.3	1.2 ± 0.3	1.2 ± 0.4	26	24	22
PAS2222311	PAS2222311	16 ± 1	16 ± 1	16 ± 1.5	1.2 ± 0.3	1.2 ± 0.3	1.5 ± 0.4	28	24	22
PAS2222411	PAS2222411	20 ± 1	20 ± 1	20 ± 1.5	0.5 ± 0.2	0.5 ± 0.2	0.6 ± 0.3	30	28	26
PAS2222511	PAS2222511	24 ± 1	24 ± 1	24 ± 1.5	0.5 ± 0.2	0.5 ± 0.2	0.6 ± 0.3	30	30	30
PAS2222611	PAS2222611	27 ± 1	27 ± 1	27 ± 1.5	0.5 ± 0.2	0.5 ± 0.2	0.6 ± 0.3	30	30	30

PAS2242(X)11 - 4 WAY TAPS

Item	Code	Tap loss dB		Insertion loss dB	Output-tap isolation dB		
		5-862MHz			5-40MHz	40-470MHz	470-862MHz
		Tap 1 & 2	Tap 3 & 4				
PAS2242211	PAS2242211	12 ± 1	13 ± 1	4.5 ± 1	26	26	22
PAS2242311	PAS2242311	16 ± 1	17 ± 1	2.5 ± 1	26	26	22
PAS2242411	PAS2242411	20 ± 1	21 ± 1	2.5 ± 1	30	30	26
PAS2242511	PAS2242511	24 ± 1	25 ± 1	2.5 ± 1	30	30	28

PAS22(X)2811 - 4, 6, 8 WAY TAPS

Item	Code		Tap loss dB			Insertion loss dB	Output-tap isolation dB		
			5-40MHz	40-470MHz	470-862MHz		5-40MHz	40-470MHz	470-862MHz
PAS2242811 4 channels	PAS2242811	Tap 1	12.5 ± 1	12.5 ± 1	12.5 ± 1	4 ± 1	27	26	24
		Tap 2	13.5 ± 1.5	13.5 ± 1.5	13.5 ± 1.5				
		Tap 3	14.5 ± 1.5	14.5 ± 1.5	14.5 ± 1.5				
		Tap 4	15.5 ± 1.5	15.5 ± 1.5	15.5 ± 1.5				
PAS2262811 6 channels	PAS2262811	Tap 5	17 ± 1.5	17 ± 1	17 ± 1	6 ± 1	27	26	24
		Tap 6	13.5 ± 1.5	13.5 ± 1.5	13.5 ± 1.5				
PAS2282811 8 channels	PAS2282811	Tap 7	19 ± 1.5	19 ± 1	19 ± 1	8 ± 1	27	26	24
		Tap 8	19.5 ± 1.5	19.5 ± 1.5	19.5 ± 1.5				

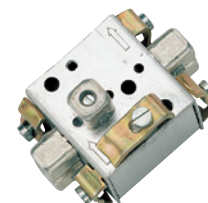
Splitters and taps

Saddle and clamp distribution components

47-862MHz

PP12 PP12DC
PP13 PP14DC
PP14

Fully shielded metal housing screw and saddle clamp splitters. It is not advisable to feed the output sockets directly because of the low separation. Socket should be connected to a tap output. One input - several outputs. V.S.W.R. <1.2



Item	Code	No. of outputs	Attenuation dB		Packaging Pcs
			input and output	between two outputs	
PP12	220370	2	4	18	10
PP13	220376	3	6	15	10
PP14	220390	4	7	10	10
PP12DC ⁽¹⁾	220375	2	4	18	10
PP14DC ⁽¹⁾	220392	4	8	10	10
IP2 ⁽¹⁾	220322	2	4	18	10

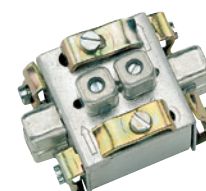
(1) With DC pass between input and one output

Saddle and clamp distribution components

47-862MHz

CD..

Fully shielded metal housing screw and saddle clamp taps. 1 input, 1 through-line output, 1 or more tapped outputs. Suitable for through-line or as terminal as well, by fitting a resistive load CR75l.



Item	Code	Insertion loss		Output-tap isolation dB				Isolation between outputs dB				V.S.W.R Input <
		dB		Bands				Bands				
		min.	max.	1	3	4	5	1	3	4	5	
CD11	220660	0.8	1.1	10	10	10	10	—	—	—	—	1.2

Item	Code	Insertion loss		Output-tap isolation dB				Isolation between outputs dB				V.S.W.R Input <
		dB		Bands				Bands				
		min.	max.	1	3	4	5	1	3	4	5	
CD12	220670	1.3	1.8	11	11	10	10	21	21	19	19	1.4
CD142	220652	0.6	1.1	15	15	14	14	28	27	26	25	1.2

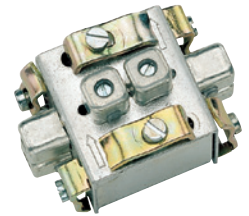
4 outputs												
Item	Code	Insertion loss		Output-tap isolation dB				Isolation between outputs dB				V.S.W.R Input
		dB		Bands				Bands				
		min.	max.	1	3	4	5	1	3	4	5	
CD144	220654	0.8	2.8	16	16	15	15	13/21	16/27	18/35	18/40	1.5

Saddle and clamp distribution components

47-862MHz

CAD

Directional taps with fixed separation from the main line for all frequencies



Item	Code	Insertion loss		Output-tap isolation dB				Isolation between outputs dB				V.S.W.R Input
		dB		Bands				Bands				
		min.	max.	1	3	4	5	1	3	4	5	
1 output												
CAD11	220451	0.1	0.7	27	17	11	12	45	38	36	35	1.1
2 outputs												
CAD12	220452	0.1	0.8	27	18	12	13	53	43	30	26	1.2
3 outputs												
CAD13	220453	0.2	2	27	17	12	15	44/40	35/30	34/25	32/35	1.3
4 outputs												
CAD14	220454	0.1	1.9	27	17	12	15	48/60	37/60	29/52	25/45	1.2

Saddle and clamp distribution components

Accessories

CN9

Indoor box for 47-862MHz splitters and taps



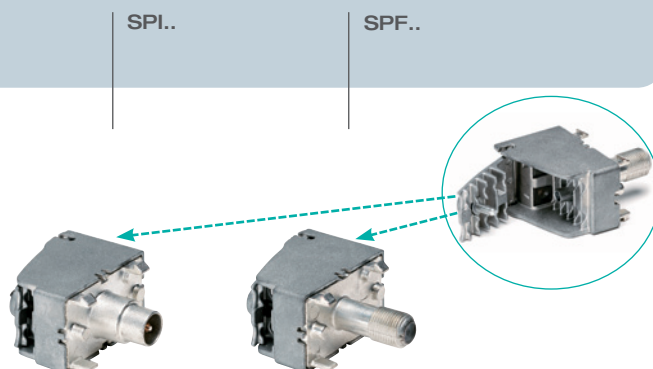
Item	Code	Description
CN9	256309	Indoor box for CAD

Outlets

5-2400MHz outlets

SPI.. and SPF.. Series

Single outlets 5-2400MHz. High screening efficiency to standard EN 50083-4 Class A. The outlet is designed with an innovative system to connect to coaxial cable. It enables the user to connect to a cable with a diameter between 5 and 7mm. Terminal outlets allow the current to pass through the input and user output. Pass-through outlets allow the current to pass through input and output and blocks it on user output.



Item	Code	Insertion loss dB				Distribution loss dB				Outlet type	Connector
		Return path	TV	SAT		Return path	TV	SAT			
		5-40 MHz	47-862 MHz	950-2150 MHz	2150-2400 MHz	5-40 MHz	47-862 MHz	950-2150 MHz	2150-2400 MHz		
SPI00⁽¹⁾	220711	—	—	—	—	< 0.5	< 0.5	< 0.8	< 0.8	Terminal	IEC male
SPI05	220712	< 5	< 5	< 7	< 8	< 5	< 5	< 7	< 8	Pass-through	
SPH0	220713	< 2.5	< 2.5	< 3	< 3.2	10.5	10	10.5	11		
SPH4	220714	< 1.5	< 1.2	< 2.2	< 2.5	15	14.5	14.5	15		
SPH8	220715	< 1.5	< 1.2	< 2.2	< 2.5	18.5	18	18	18.5		
SPH22	220716	< 1.5	< 1.2	< 2.2	< 2.5	22.5	22	22	22.5		

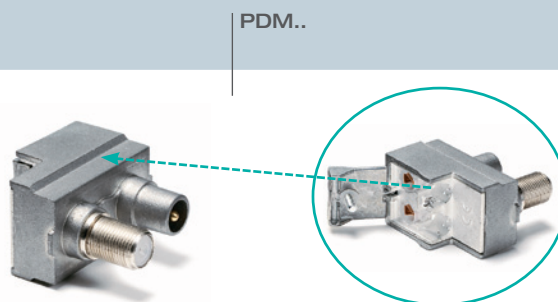
Item	Code	Insertion loss dB				Distribution loss dB				Outlet type	Connector
		Return path	TV	SAT		Return path	TV	SAT			
		5-40 MHz	47-862 MHz	950-2150 MHz	2150-2400 MHz	5-40 MHz	47-862 MHz	950-2150 MHz	2150-2400 MHz		
SPF00⁽¹⁾	220721	—	—	—	—	< 0.5	< 0.5	< 0.8	< 0.8	Terminal	F female
SPF05	220722	< 5	< 5	< 7	< 8	< 5	< 5	< 7	< 8	Pass-through	
SPF10	220723	< 2.5	< 2.5	< 3	< 3.2	10.5	10	10.5	11		
SPF14	220724	< 1.5	< 1.2	< 2.2	< 2.5	15	14.5	14.5	15		
SPF18	220725	< 1.5	< 1.2	< 2.2	< 2.5	18.5	18	18	18.5		
SPF22	220726	< 1.5	< 1.2	< 2.2	< 2.5	22.5	22	22	22.5		

(1) DC passes between the input and the output connector

5-2400MHz outlets

PDM.. Series

Demix outlets allow the user to split, via two different connectors, TV-SAT signals (5-2400MHz). They have a clamp connection to insert the cable. It enables the user to connect a cable with a diameter between 5 and 7mm. This range of outlets allow the current to pass through the input and user SAT output. It is a special pass-through outlet and for this reason the last outlet has been closed with an isolated 75 Ohm load.



Item	Code	Insertion loss dB		Distribution loss dB		Pack. Pcs	Outlet type
		TV	SAT	TV	SAT		
		47-862 MHz	950-2400 MHz	47-862 MHz	950-2400 MHz		
PDM00	220003	—	—	< 2	< 2	10	Terminal
PDM05	220002	< 6.0	< 6.0	< 6	< 6		Pass-through
PDM10	220001	< 4.0	< 4.0	10	11		
PDM14	220004	< 3	< 3.5	14	15		
PDM18	220005	< 2.5	< 3.5	19	19		
PDM22	220006	< 2.5	< 3.5	22	23		

Adaptors for outlets

SPI..., SPF..., and PDM.. Series



Adaptors	Colour	Item	Code	Type	Packaging Pcs
Ticino Axolute ® New	White	BT-AX	287126	Single	20
		BT-AX2	287127	Demix	10
Ticino Axolute Silver ®	Silver	BT-AXS	289737	Single	20
		BT-AXS2	289739	Demix	10
Ticino Axolute Black ®	Black	BT-AXB	289738	Single	20
		BT-AXB2	289740	Demix	10
Ticino International ®	Black	BT-INT	280754	Single	20
		BT-INT2	280801	Demix	10
Ticino Light ®	Ice	BT-LIG	280752	Single	20
		BT-LIG2	280802	Demix	10
Ticino Light Tech ®	Dark grey	BT-LIGT	280699	Single	20
		BT-LIGT2	280803	Demix	10
Ticino Magic ®	Ivory	BT-MA	280755	Single	20
		BT-MA2	280804	Demix	10
Ticino Living ®	Black	BT-LIV	280753	Single	20
		BT-LIV2	280805	Demix	10
Ticino Luna ®	White	BT-LU	280756	Single	20
		BT-LU2	280806	Demix	10
Ticino Matix ®	White	BT-MAT	280757	Single	20
		BT-MAT2	280807	Demix	10
Ticino Magic TT ®	Ivory	BT-TT	280742	Single	20
		BT-MATT2	280808	Demix	10
Vimar Eikon Next ®	Dark grey	VI-EKN	289798	Single	20
		VI-EKN2	289799	Demix	10
Vimar Eikon White ®	White	VI-EKW	280839	Single	20
		VI-EKW2	280840	Demix	10
Vimar Eikon Black ®	Black	VI-EKB	289741	Single	20
		VI-EKB2	289742	Demix	10
Vimar Idea ®	Black	VI-ID	280749	Single	20
		VI-ID2	280810	Demix	10
Vimar Idea Bianca ®	White	VI-IDB	280748	Single	20
		VI-IDB2	280811	Demix	10
Vimar 8000 ®	Ivory	VI-80	280750	Single	20
		VI-802	280809	Demix	10
Vimar Plana ®	White	VI-PL	280751	Single	20
		VI-PL2	280812	Demix	10
Vimar Plana Silver ® New	Silver	VI-PLS	287121	Single	20
		VI-PLS2	287122	Demix	10
Gewiss Chorus Bianco Lucido ®	Bright white	GW-CB	280837	Single	20
		GW-CB2	280838	Demix	10
Gewiss Chorus Nero Satinato ®	Glossed black	GW-CN	280835	Single	20
		GW-CN2	280836	Demix	10
Gewiss Chorus Titanio Verniciato ®	Varnished titanium	GW-CT	280833	Single	20
		GW-CT2	280834	Demix	10
Gewiss Playbus ®	Black	GW-PL	280797	Single	20
		GW-PL2	280813	Demix	10
Gewiss System Black ®	Black	GW-SYB	280796	Single	20
		GW-SYB2	280814	Demix	10
Gewiss System White ®	White	GW-SYW	280798	Single	20
		GW-SYW2	280815	Demix	10
ABB Chiara ®	White	AB-CH	280831	Single	20
		AB-CH2	280832	Demix	10
Ave Sistema 45 Noir ®	Black	AV-SNO	280743	Single	20
		AV-SNO2	280816	Demix	10
Ave Sistema 45 Banquise ®	Ice	AV-SBA	280745	Single	20
		AV-SBA2	280817	Demix	10
Ave Sistema 45 Blanc ®	White	AV-SBL	280746	Single	20
		AV-SBL2	280818	Demix	10
Ave Sistema 45 Ral ®	Ivory	AV-SGR	280744	Single	20
		AV-SRA2	280819	Demix	10
Legrand Cross ®	White	LG-CR	280747	Single	20
		LG-CR2	280820	Demix	10
Legrand Vela Scura ®	Black	LG-VES	280800	Single	20
		LG-VES2	280821	Demix	10
Legrand Vela Chiara ®	Ice	LG-VEC	280799	Single	20
		LG-VEC2	280822	Demix	10

® All registered trademarks are the property of their respective owners

Item	Code	Description
PL1	280736	Cover for SPI.. and SPF.. - For European boxes ø 60mm
PL1UK	280794	Cover for SPI.. and SPF.. - For UK boxes

Outlets - Connectors

CATV wall outlets

PAS0021...

Wall outlets with FM and TV outputs. Terminal and pass-through versions available. Return channel on TV output. Terminal version with RC on FM outlet (PAS0021411) also available.



Item	Code	Output	Connector type	Bandwith MHz	Tap loss dB	Insertion loss dB	Outlet type
PAS0021411	PAS0021411	R TV	IEC female IEC male	5-108 120-862	-	2	Terminal
PAS0021511	PAS0021511	R TV	IEC female IEC male	88-108 5-68/120-862	-	2	Terminal
PAS0023211	PAS0023211	R TV	IEC female IEC male	88-108 5-68/120-862	8	2.5	Pass-through
PAS0023311	PAS0023311	R TV	IEC female IEC male	88-108 5-68/120-862	11	1.5	Pass-through
PAS0023411	PAS0023411	R TV	IEC female IEC male	88-108 5-68/120-862	14	1	Pass-through
PAS0032101*	PAS0032101	R TV DATA	IEC female IEC male F female	120-862 88-108 5-1000	-	4 4 5	Terminal
PAS5321	PAS5321	Wall mounting box					

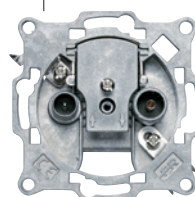
*with data input

Wall outlets TV + SAT

Wall outlets with TV and SAT outputs. One terminal version and 5 pass-through versions available: from 6dB loss up to 22dB loss.

PRI..

PL2



Item	Code	Output	Connector	Bandwith MHz	Tap loss dB	Insertion loss dB	Outlet type	Dimensions mm
PRI00	280730	TV SAT	IEC male F female	5-40/47-862 950-2300	-	1.5 2	Terminal	76 x 76 x 32
PRI06	280731	TV SAT	IEC male F female	5-40/47-862 950-2300	6	2 2.5	Pass-through	
PRI10	280732	TV SAT	IEC male F female	5-40/47-862 950-2300	10	1.5 2	Pass-through	
PRI14	280733	TV SAT	IEC male F female	5-40/47-862 950-2300	14	1.5 2	Pass-through	
PRI18	280734	TV SAT	IEC male F female	5-40/47-862 950-2300	18	1.5 2	Pass-through	
PRI22	280735	TV SAT	IEC male F female	5-40/47-862 950-2300	22	1.5 2	Pass-through	
PL2	280737	Cover						
CAPL	280741	Box						

Wall outlets TV + SAT + FM

Wall outlets with FM + TV + SAT outputs.
Terminal and pass-through versions available. PR3-10-DC allows DC to pass from OUT to IN and from SAT to IN.



Item	Code	Output	Connector type	Bandwith MHz	Tap loss dB	Insertion loss dB	Outlet type
PAS0032	PAS0032	TV R SAT*	IEC female IEC male F female	5-68/120-862 88-108 950-2150	-	1.5 2 2	Terminal
PAS0032D*	PAS0032D	FM+DAB TV SAT *	IEC female IEC male F female	87-240 5-68/260-862 950 - 2300	-	1.5 1.5 2	Terminal
PAS0032211	PAS0032211	TV R SAT*	IEC female IEC male F female	5-68/120-862 88-108 950-2150	8	2 4 4	Pass-through
PR3-10-DC	289795	TV R SAT*	IEC male IEC female F male	5-74/120-862 87.5-108 950-2150	10	3 2.5 3	Pass-through
PAS0042	PAS0042	TV R SAT1* SAT2*	IEC female IEC male F female F female	5-68/120-862 88-108 950-2150 950-2150	-	2.5 2.5 2 3	Terminal

* D.C. pass: 500mA max.

Connectors

I.E.C. coaxial connectors



MALE CONNECTORS

Item	Code	Type	Copper plated		ø mm	Packaging
			screw	shielded		
SP1	290351	Cable connector - straight	x		9.5	Pcs 100
SP5	290354	Cable connector - straight		x	9.5	Pcs 100

FEMALE CONNECTORS

Item	Code	Type	Copper plated		ø mm	Packaging
			screw	shielded		
PR1	290451	Cable connector - straight	x		9.5	Pcs 100
PR5	290454	Cable connector - with screw		x	9.5	Pcs 50
PR11	290365	For wall outlets - L shaped		x	9.5	Pcs 50

Connectors - Cables

Connectors

F connectors



CF..



CFR..



CAP



CCF..



PAS3212C



PAS3214B

F MALE TWIST ON CONNECTORS

Item	Code	Description	Cables Ø mm	Packaging Pcs
CF50	280340	Quick F male	4.9-5.0	50
CF60	280341		5.9-6.0	
CF66	280342		6.5-6.6	
CF70	280346		6.9-7.0	

F MALE QUICK CONNECTORS

Item	Code	Description	Cables Ø mm	Packaging Pcs
CFR50	280343	Plug-in F male	4.9-5.0	50
CFR60	280344		5.9-6.0	
CFR66	280345		6.5-6.6	
CAP	280347	Quick F male	4.0-7.0	

CRIMP F CONNECTORS

Item	Code	Description	Cables Ø mm	Packaging Pcs
CCF66	289768	Plug-in F male	6.6-6.8	100
CCF102	289769		10.2	20

COMPRESSION F CONNECTORS

Item	Code	Description	Cables	Packaging Pcs
PAS3212B	PAS3212B	Universal - for indoor/outdoor applications	PAS4036 - PAS4016 PAS4136 - PAS4116	50
PAS3212C	PAS3212C		PAS4037 - PAS4017 PAS4007 - PAS4117 - PAS4107	50
PAS3214B	PAS3214B		PAS4009 - PAS4109 - PAS4110	25
PAS3664D	PAS3664D	Tool for PAS3214B	-	1

Accessories

75 Ohm loads - Adaptors



CA75F



T75IF



CR75I



TF90



GCF



GC1



PAUTV



PAS3236Q



PAS3213001



PAS61..

Item	Code	Description	Packaging Pcs
CA75F	289085	Single load - F male connector	100
T75IF	290002	Isolated load - F male connector	20
CR75I	289776	Coaxial for TV	20

ADAPTORS

Item	Code	Description	Packaging Pcs
TF90	289543	Right angle F male to F female	50
GCF	289544	F female - F female	50
GC1	290030	Cable connector	100
PAUTV	280373	Dual F female - F female - F female grounding back	250
PAS3236Q	PAS3236Q	F male - F male quick	1
PAS3213001	PAS3213001	F female - F female with DC block	20
PAS6106	289770	5-2400MHz attenuator - Att. 6dB - DC pass	5

ACCESSORIES

Item	Code	Description	Packaging Pcs
PRT1	210095	Earth terminal board - For earth connection of 6 coaxial cables in a TV distribution network. Best fitted near the amplifier	25

Coaxial cables

Coaxial cables for indoor installation with PVC sheath

Fracarro offers both single installation cable (class B) or large network cables (class A) e.g. hotels, resorts, hospitals, etc. Double screened cable is available for high screening efficiency (more than 90dB), required for professional installations.

Coaxial cables for outdoor installation with PE sheath

Class A cables with high screening efficiency and low attenuation. The PE sheath allows the cables to be installed in external or damp environments.

Multicoax cables

These cables can be used in multiswitch networks where a large number of cables are installed. Inside one sheath there are 4, 5 or 9 cables with different colours to make identification and connection to switches easier.

General features

Installation temperature: -5°C to +50°C. Operating temperature: -15°C to +55°C . Compliant to EN50117.

